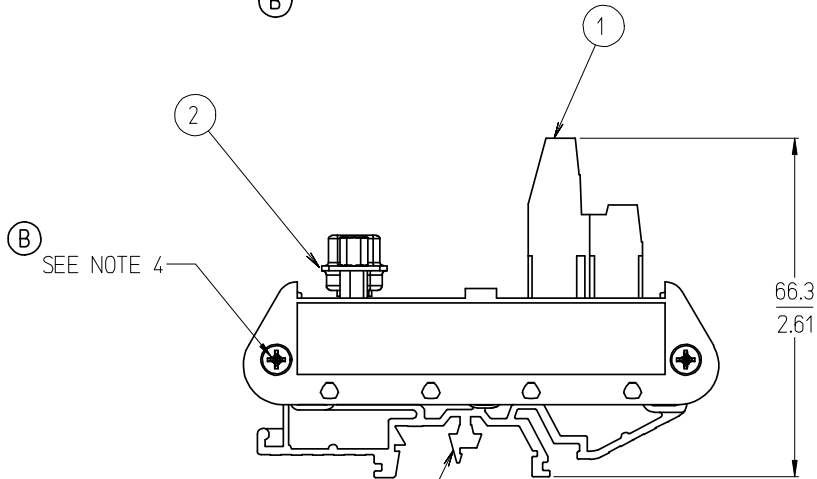
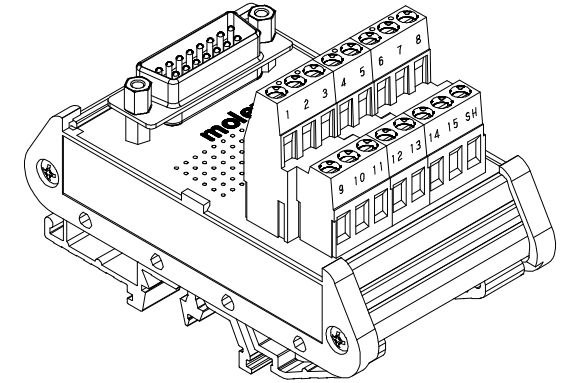


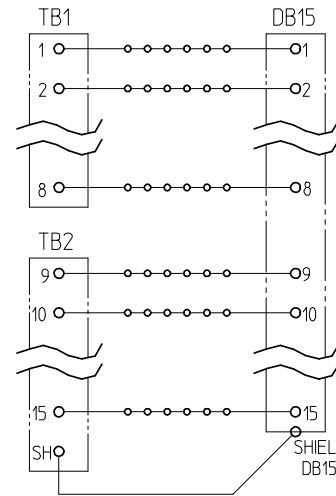
(B) SEE NOTE 5



(B) SEE NOTE 4



15 POSITION SHOWN



TYPICAL SCHEMATIC (15 POSITION SHOWN)

NO. OF CIRCUITS	DIM. "A"	MATERIAL NUMBER
09	39.4 [1.55]	39170-2009
15	54.4 [2.14]	39170-2015
25	79.8 [3.14]	39170-2025
37	106.4 [4.19]	39170-2037

NOTES:

- 1. MATERIAL: SEE TABLE
- 2. FINISHES: SEE TABLE
- 3. MATES WITH: FEMALE D-SUB
- (B) 4. END CAP MOUNT SCREW TORQUE: 0.5 N-m (4.4 lbf-in) MINIMUM  
0.6 N-m (5.3 lbf-in) MAXIMUM
- (B) 5. TERMINAL BLOCK SCREW TORQUE: 0.8 N-m (7.1 lbf-in)
- 6. 39170-2015 IS ROHS COMPLIANT, ALL OTHERS NOT REQUIRED.

ITEM	QTY.	DESCRIPTION	MATERIAL	FINISH
3	2	DIN RAIL ADAPTOR UNIT	THERMOPLASTIC	BLACK
2	1	MALE D-SUB TO 5.08 FIXED, PC BOARD ASSY.	-	-
1	1	5.08 FIXED DUAL LEVEL BTS	SEE SD-39880-006	BLACK

ADD SCREW TORQUE  
 EC NO: ETC2007-0331  
 DRWN: CLYORK  
 CHKD: JMACNEIL  
 APPR: JMACNEIL  
 2007/03/12  
 2007/03/14  
 2007/03/15

QUALITY SYMBOLS  
 ▽=0  
 ▽=0

GENERAL TOLERANCES (UNLESS SPECIFIED)

	mm	INCH
4 PLACES	± ---	± ---
3 PLACES	± ---	± .005
2 PLACES	± 0.13	± .01
1 PLACE	± 0.3	± ---

ANGULAR ± 2 °

DRAFT WHERE APPLICABLE  
 MUST REMAIN WITHIN DIMENSIONS

DIMENSION STYLE  
 MM/IN

DRAWN BY: C. YORK  
 DATE: 2004/11/09

CHECKED BY: R. STONE  
 DATE: 2004/11/16

APPROVED BY: G. ROBERTSON  
 DATE: 2004/11/16

SCALE: 1:1  
 DESIGN UNITS: INCH  
 THIRD ANGLE PROJECTION

TITLE: DIN RAIL INTERFACE MODULE, MALE D-SUB TO 5.08MM DUAL LEV. FIXED

MATERIAL NO.: SEE CHART  
 DOCUMENT NO.: SD-39170-004  
 SHEET NO.: 1 OF 1

THIS DRAWING CONTAINS INFORMATION THAT IS PROPRIETARY TO MOLEX INCORPORATED AND SHOULD NOT BE USED WITHOUT WRITTEN PERMISSION